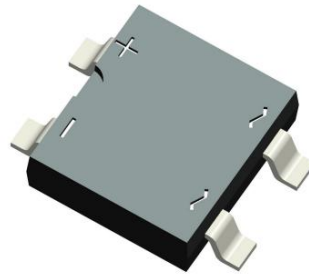
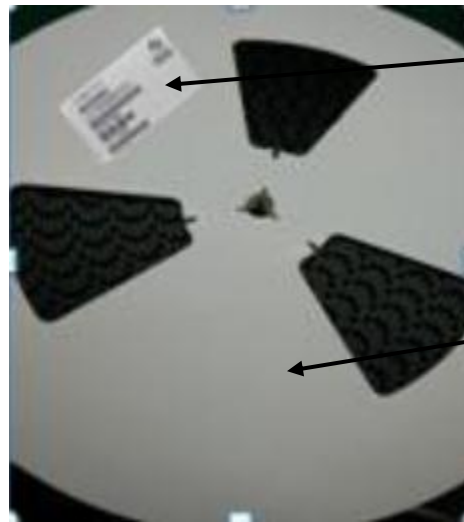


1. Finish Goods PKG photo



2. Packing method



Label

Reel

Label



Outer box



Fig.1- Reel pack for MBS

Table 1. Packing information

Package version	Reel dimensions ϕ (mm)	Pcs/reel (pcs)	Per reel weight (Kg)	Reels Inner box	Inner box weight (Kg)	Inner box per outer box	Outer box weight (Kg)
MBS	$\Phi 330 \times 18.4$	3000	0.6497	2	1.48	8	14

3. Product orientation

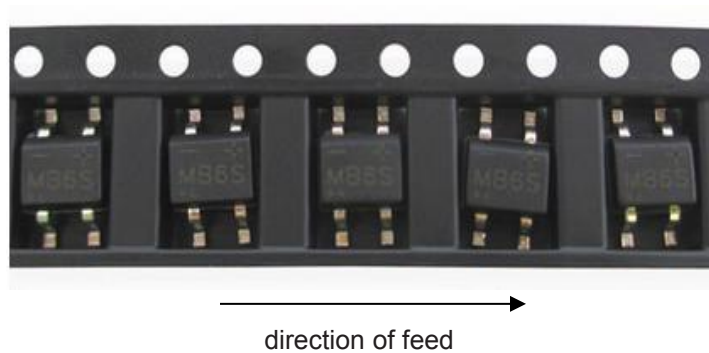
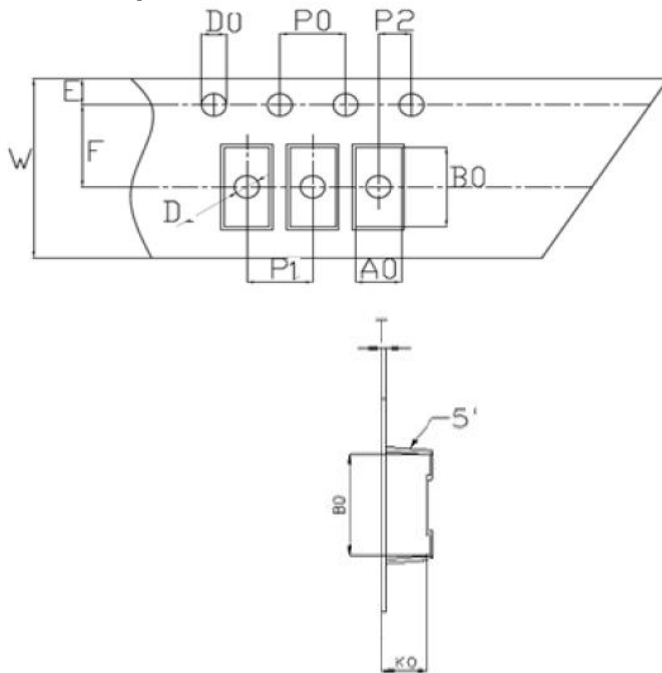


Fig 2. Product orientation in carrier tape

4. Carrier tape dimensions



Symbol	MBS
A0	5.02 ± 0.1
B0	7.22 ± 0.1
D0	1.55 ± 0.05
D1	1.5 ± 0.1
P0	4.0 ± 0.1
P1	8.0 ± 0.1
P2	2 ± 0.05
E	1.75 ± 0.1
K0	2.88 ± 0.1
F	5.5 ± 0.05
W	12 ± 0.1
T	0.27 ± 0.03
10P0	40.00 ± 0.2
抗拉拉力	$\geq 3\text{KG}$

Fig 3. Carrier tape dimensions

5. Reel dimensions

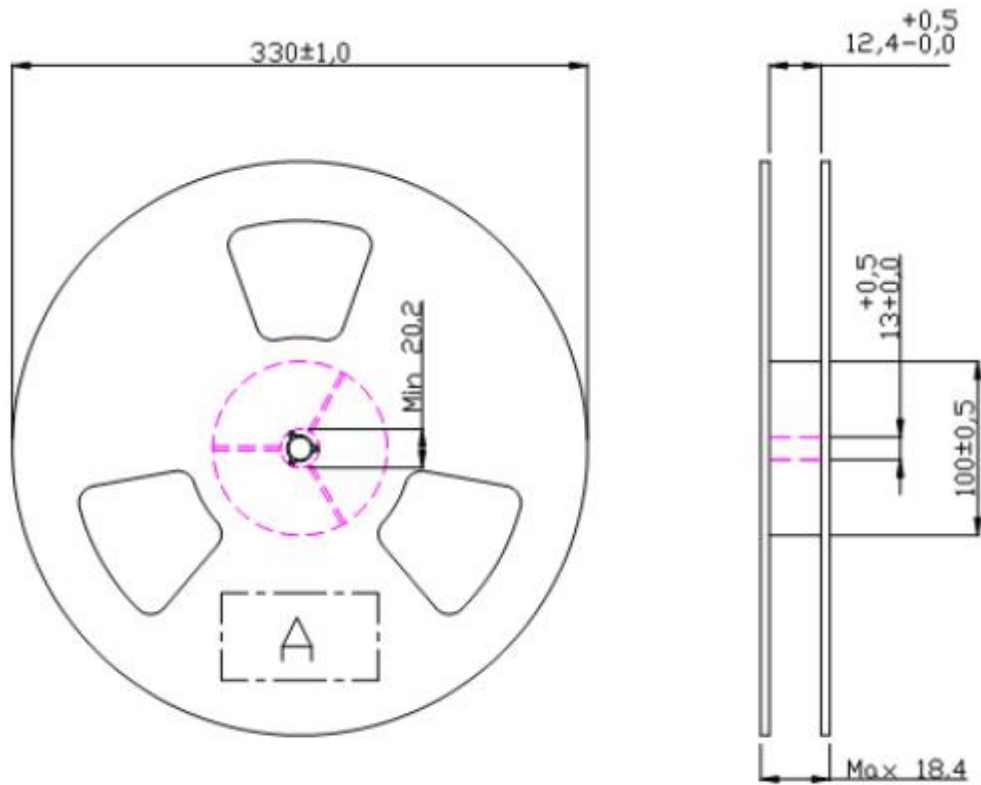


Fig 4. Reel dimensions