

# MBF Packing information

B087, Rev. -

## 1. Finish Goods PKG photo



## 2. Packing method



Label

Reel



Label



Outer box

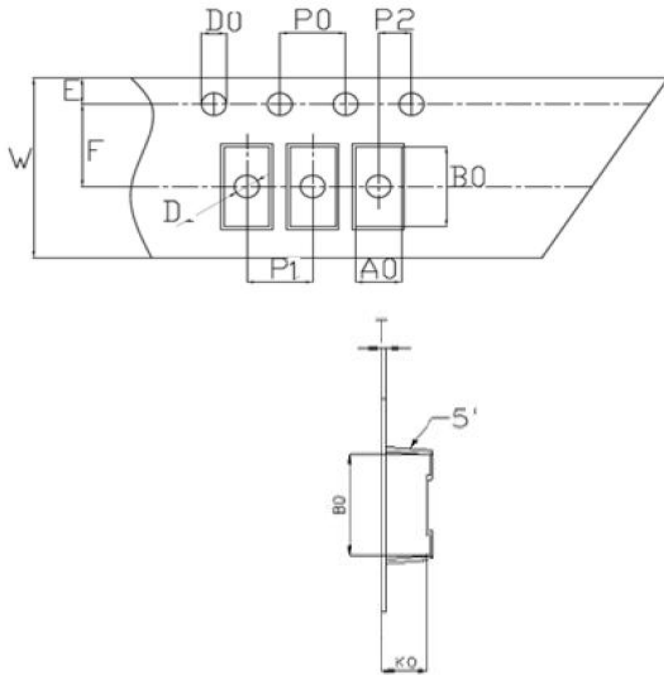
Fig.1- Reel pack for MBF

Table 1. Packing information

Package version	Reel dimensions $\phi$ (mm)	Pcs/reel (pcs)	Per reel weight (Kg)	Reels Inner box	Inner box weight (Kg)	Inner box per outer box	Outer box weight (Kg)
MBF	$\phi 330 \times 18.4$	5000	0.7996	2	1.78	8	15

- China - Germany - Korea - Singapore - United States •
- <http://www.smc-diodes.com> - [sales@smc-diodes.com](mailto:sales@smc-diodes.com) •

3. Carrier tape dimensions



Symbol	MBF
A0	5.31±0.1
B0	7.2±0.1
D0	1.55±0.05
D1	1.5±0.1
P0	4.0±0.1
P1	8.0±0.1
P2	2±0.05
E	1.75±0.1
K0	1.65±0.1
F	5.5±0.05
W	12 ±0.1
T	0.27±0.03
10P0	40.00±0.2
抗拉力	≥3KG

Fig 3. Carrier tape dimensions

4. Reel dimensions

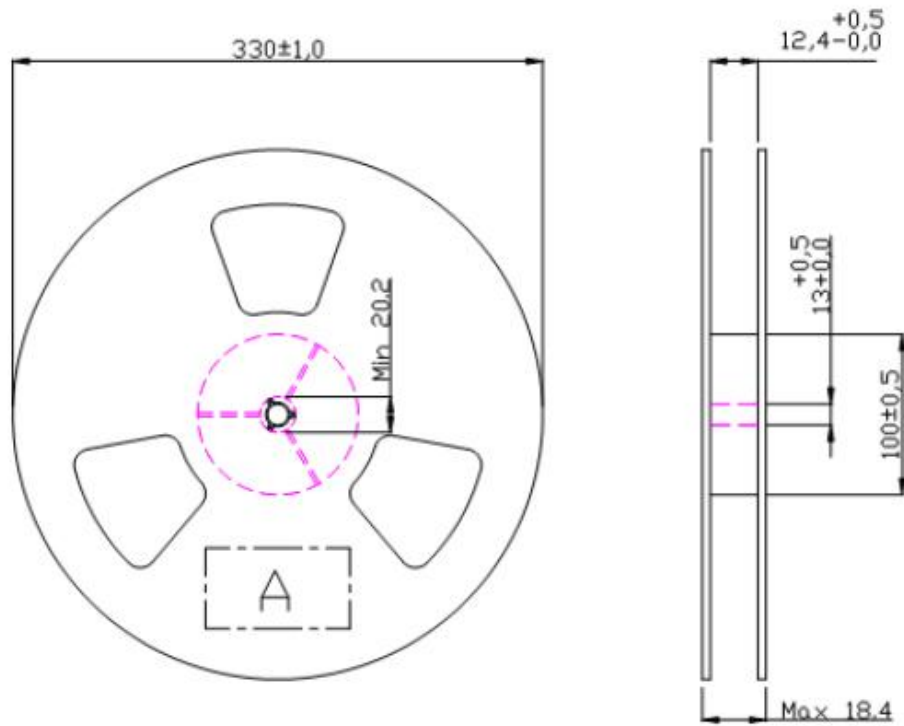


Fig 4. Reel dimensions