

1. Finish Goods PKG photo



2. Packing method

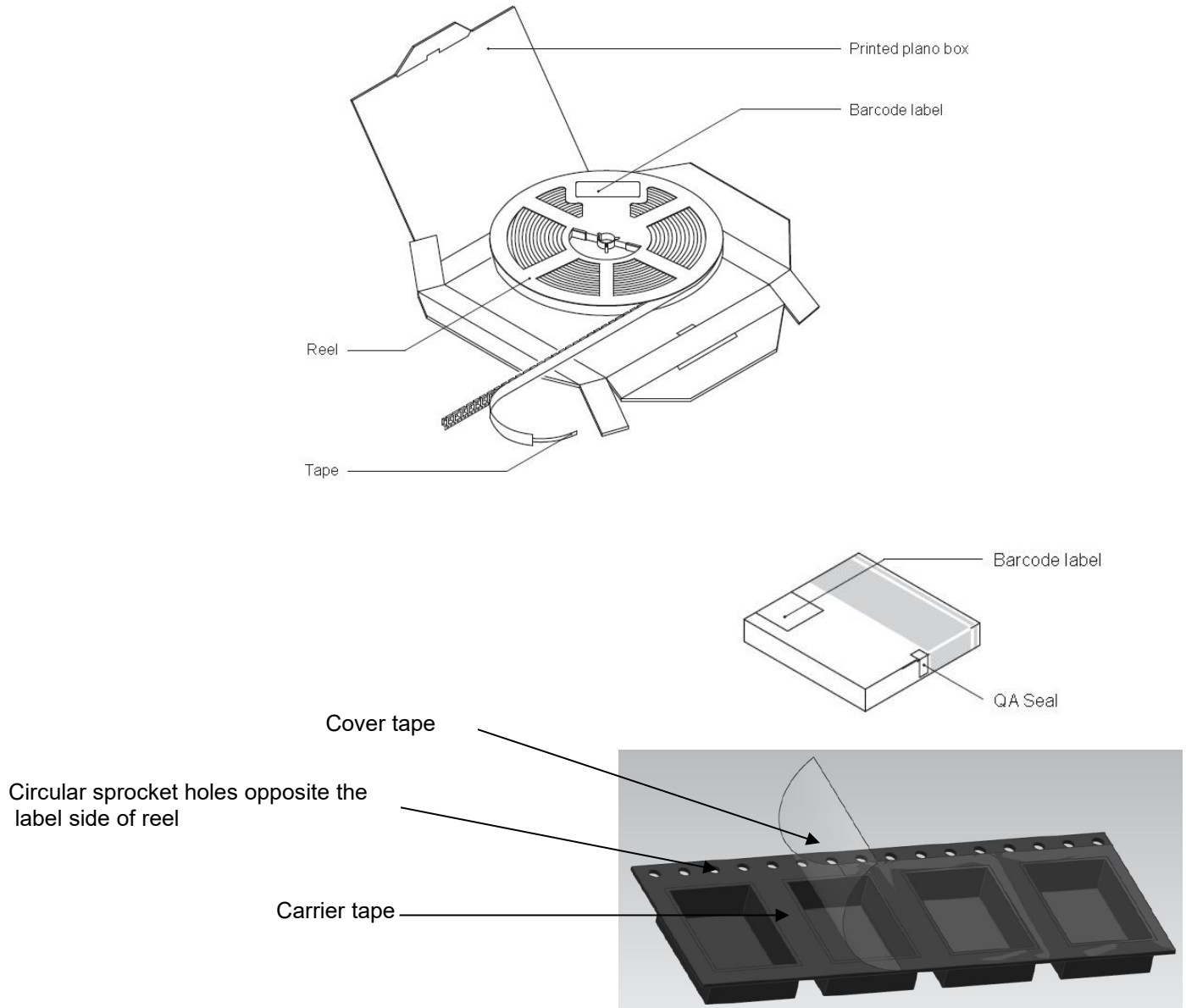


Fig.1- Reel pack for D2PAK

Table 1. Packing information

Package version	Reel dimensions $\phi \times H$ (mm)	Per Reel (pcs)	Inner box weight (Kg)	Reels per box	Inner box dimensions L×W×H (mm)	Outer box weight (Kg)
D2PAK	$\Phi 330 \times 30.4$	800	1.71	1	335×335×40	18.2

3. Product orientation

Standard product orientation D2PAK

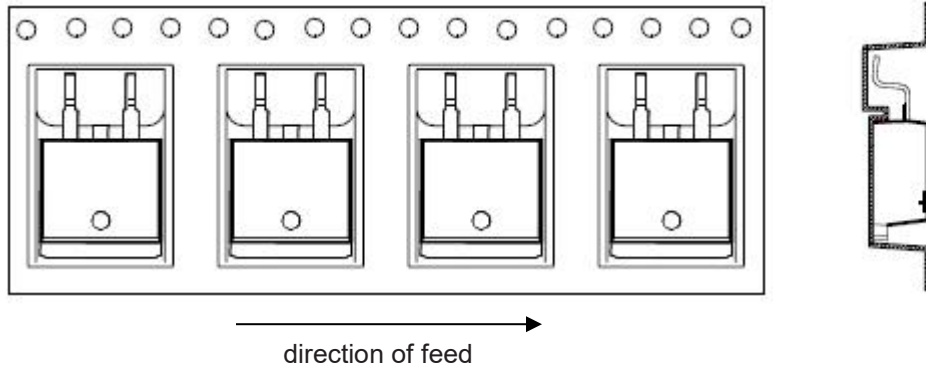


Fig 2. Product orientation in carrier tape

4. Carrier tape dimensions

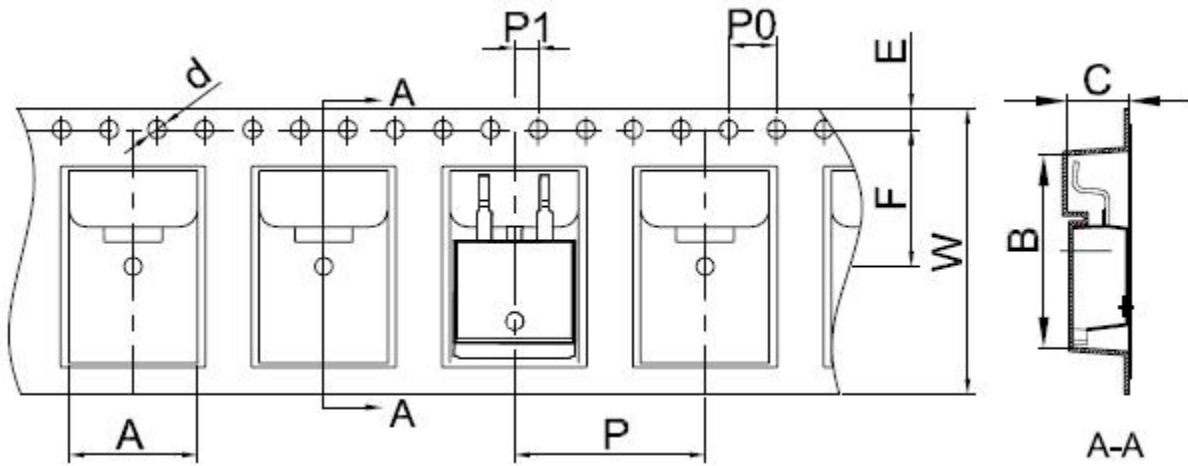


Fig 3. Carrier tape dimensions

5. Reel dimensions

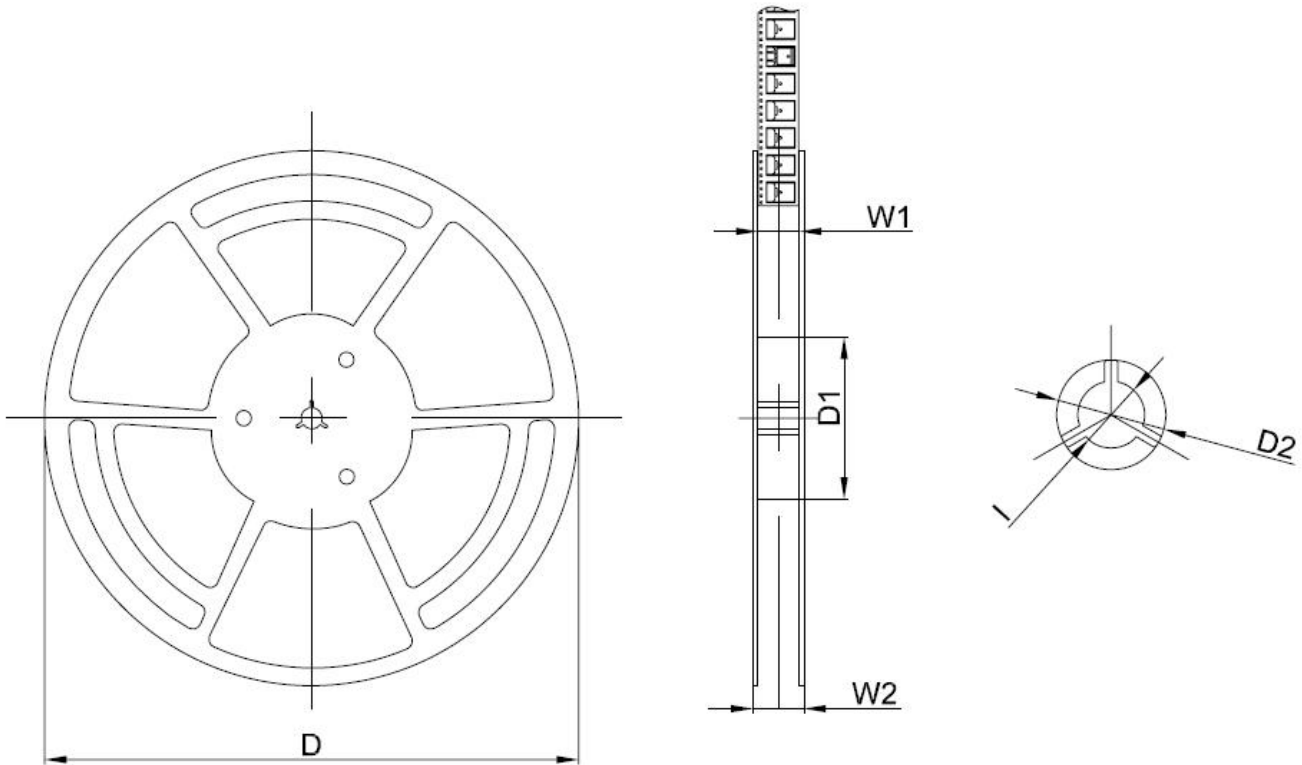


Fig 4. Reel dimensions

Table 2. Carrier tape dimensions

Dimensions are in millimeter										
Pkg type	A	B	C	d	E	F	P0	P	P1	W
TO-263-2L	10,80	16,13	5,21	Ø1,55	1,75	11,50	4,00	16,00	2,00	24,00
(Tolerance)	+/-0,1	+/-0,1	+/-0,1	+/-0,1	+/-0,1	+/-0,1	+/-0,1	+/-0,1	+/-0,1	+0,3/-0,1

Dimensions are in millimeter						
Reel Option	D	D1	D2	W1	W2	L
13"Dia	Ø330.00	100.00	Ø21.00	24.4	30.4	Ø13.00
Tolerance	+/-2	+/-1	+/-1	+/-1	+/-1	+/-1