

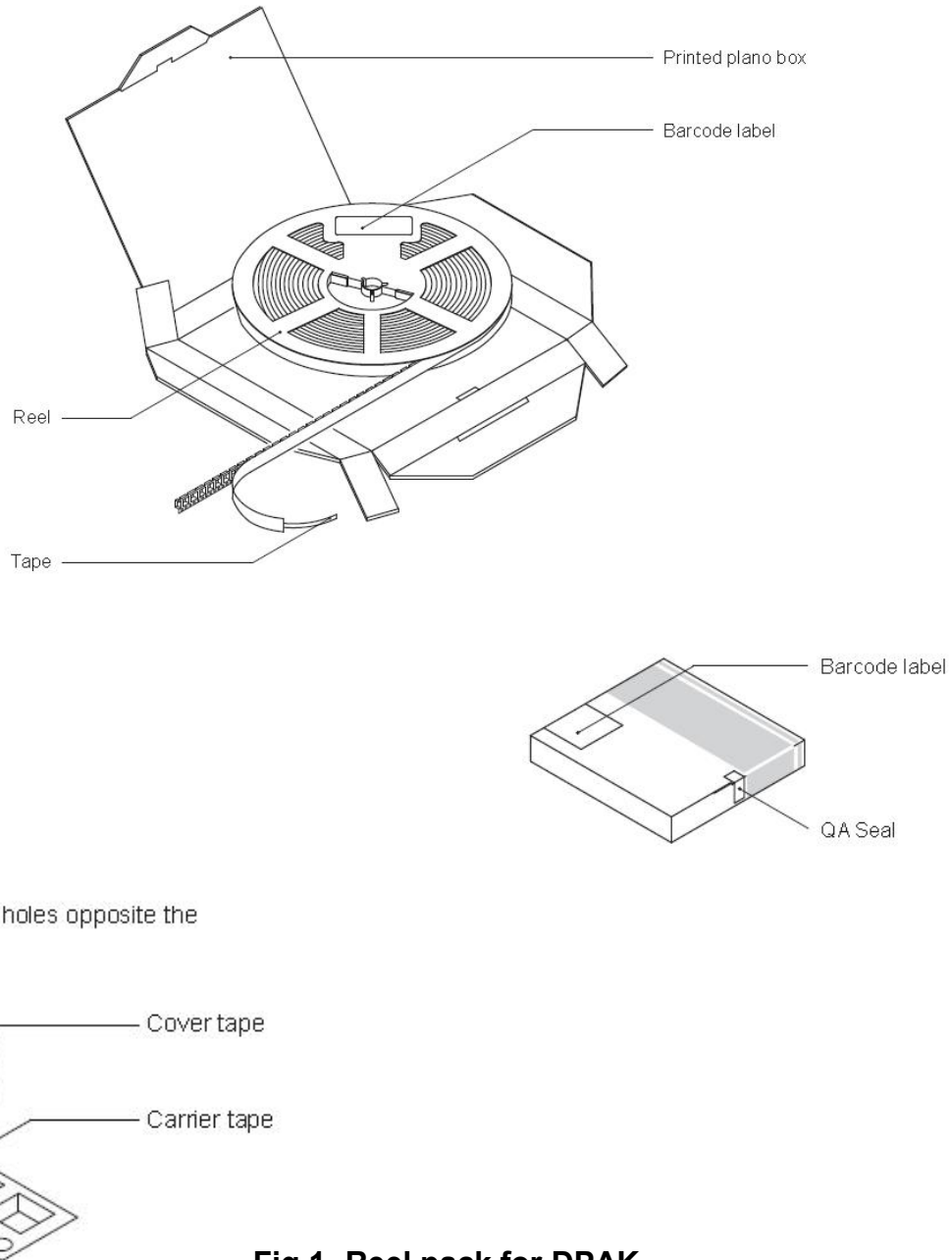
## DPAK Packing information

B003, Rev. -

### 1. Finish Goods PKG photo



### 2. Packing method



**Fig.1- Reel pack for DPAK**

Table 1. Packing information

Package version	Reel dimension s $\phi \times H$ (mm)	Per Reel (pcs)	Reels per box	Inner box dimensions LxWxH (mm)	Inner box (pcs)	Inner box weight (Kg)	Outer box dimensions LxWxH (mm)	Outer box (pcs)	Outer box weight (Kg)
DPAK	$\Phi 330 \times 21$	2500	1	340*340*30	2500	1.3	350*350*370	25000	14.5

3. Product orientation

Standard product orientation DPAK

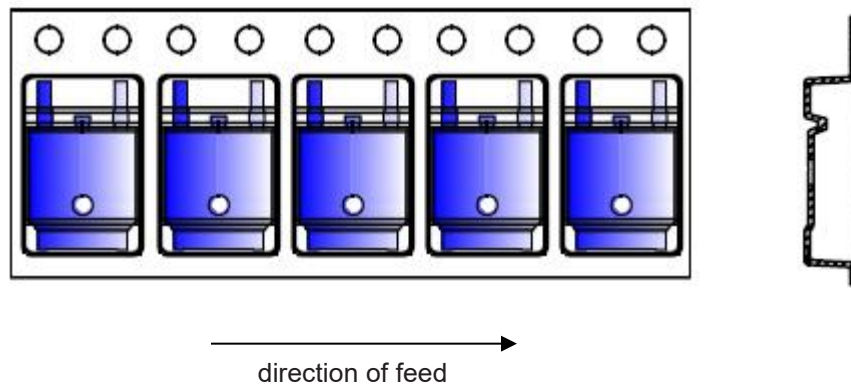


Fig 2. Product orientation in carrier tape

4. Carrier tape dimensions

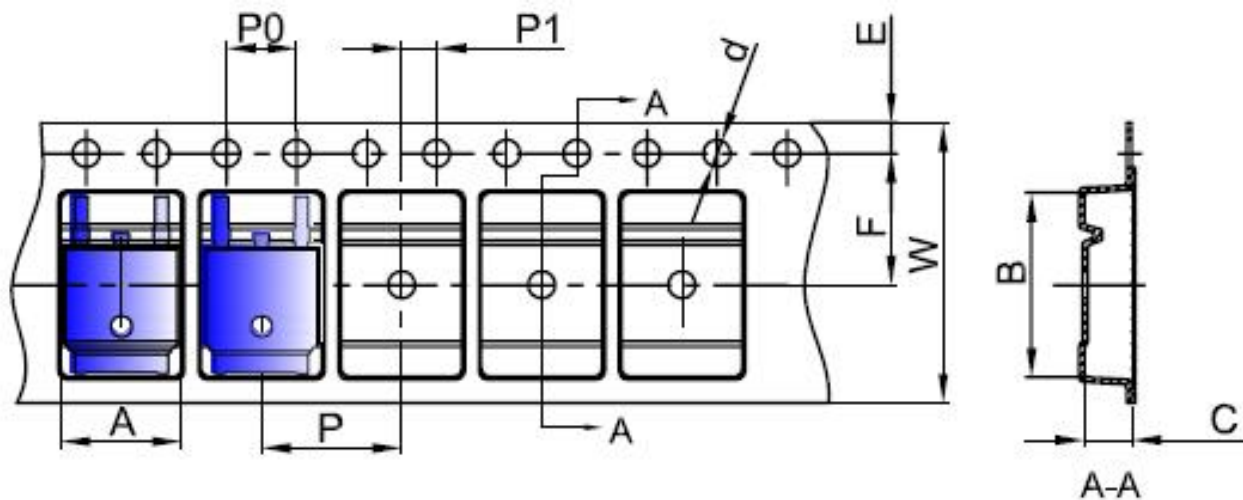


Fig 3. Carrier tape dimensions

5. Reel dimensions

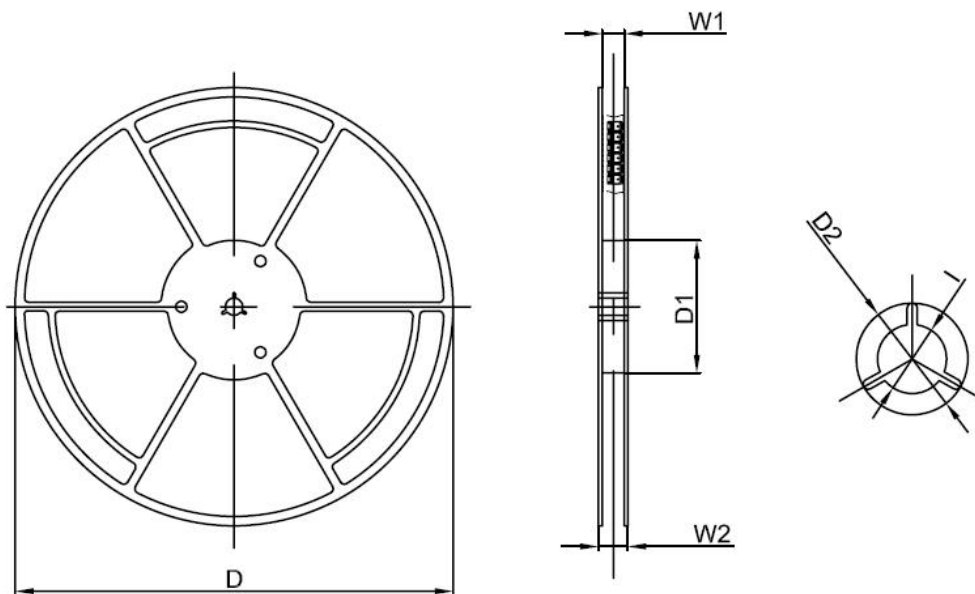


Fig 4. Reel dimensions

Table 2. Carrier tape dimensions

Dimensions are in millimeter										
Pkg type	A	B	C	d	E	F	P0	P	P1	W
TO-252	6,90	10,50	2,70	Ø1,55	1,75	7,50	4,00	8,00	2,00	16,00
(Tolerance)	+/-0,1	+/-0,1	+/-0,1	+/-0,1	+/-0,1	+/-0,1	+/-0,1	+/-0,1	+/-0,1	+0,3/-0,1

Dimensions are in millimeter						
Reel Option	D	D1	D2	W1	W2	l
13"D1a	330.00	100.00	Ø21.00	16.40	21.00	Ø13.00
Tolerance	+/-2	+/-1	+/-1	+/-1	+/-1	+/-1