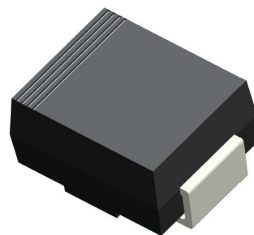


B005, Rev. -

1. Finish Goods PKG photo



2. Packing method

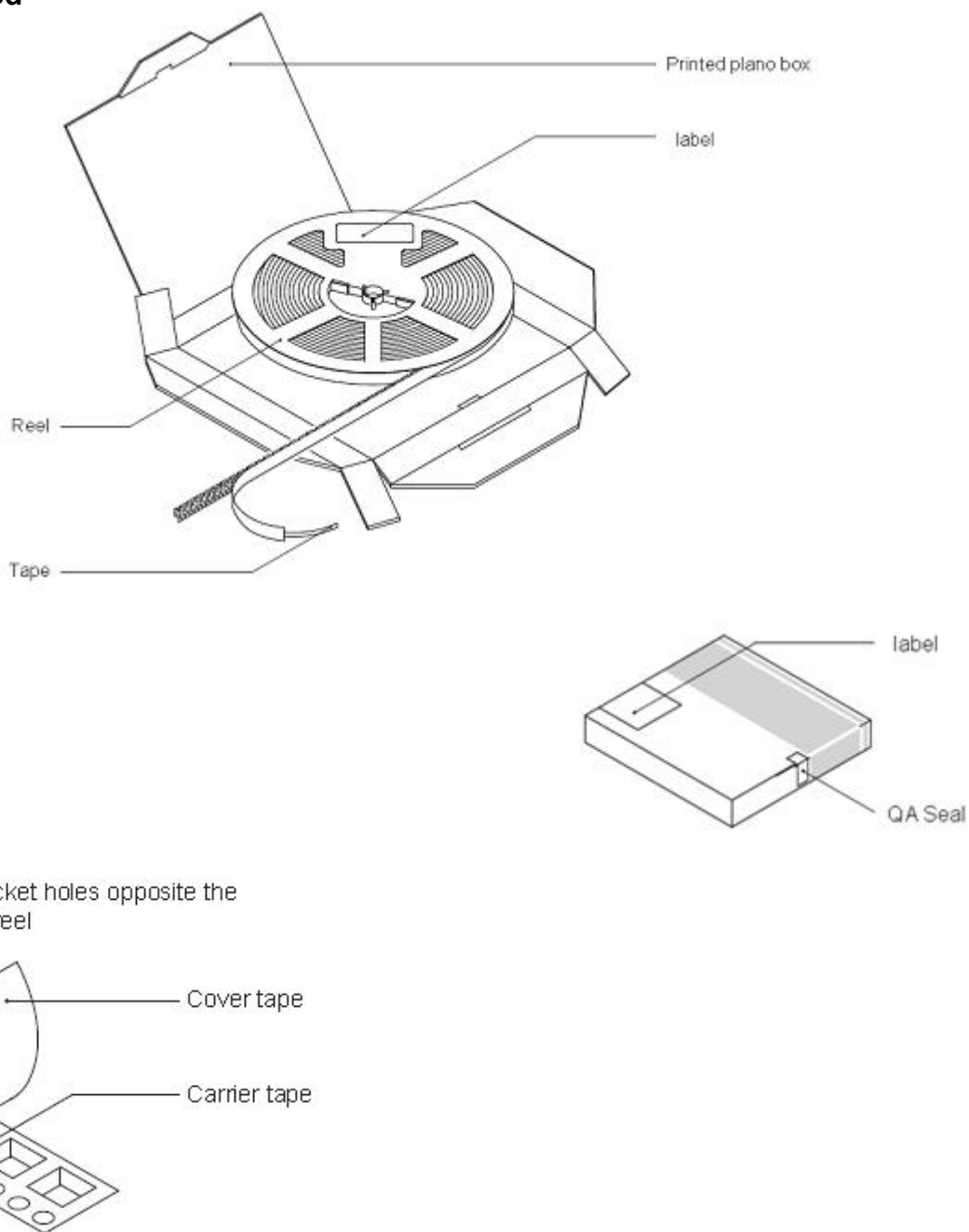


Fig.1- Reel pack for SMD

Table 1. Packing information

Package version	Reel dimensions $\phi \times H$ (mm)	Per reel (Pcs)	Reel Weight (Kg)	Inner box (pcs)	Inner box dimensions L×W×H (mm)	Inner box weight (Kg)	Outer box (pcs)	Inner box dimensions L×W×H (mm)	Outer box weight (Kg)
SMB	$\Phi 330 \times 18$	3000	0.56	6000	335×335×30	1.3	48000	400×360×370	12.2

3. Product orientation

Standard product orientation SMB

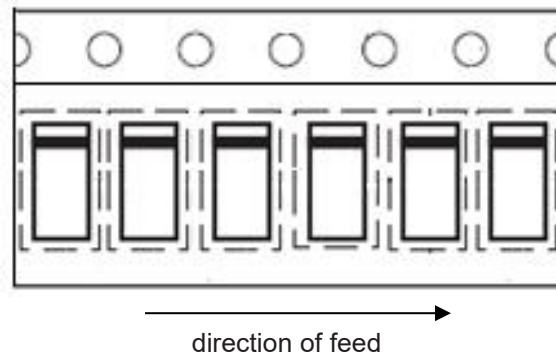
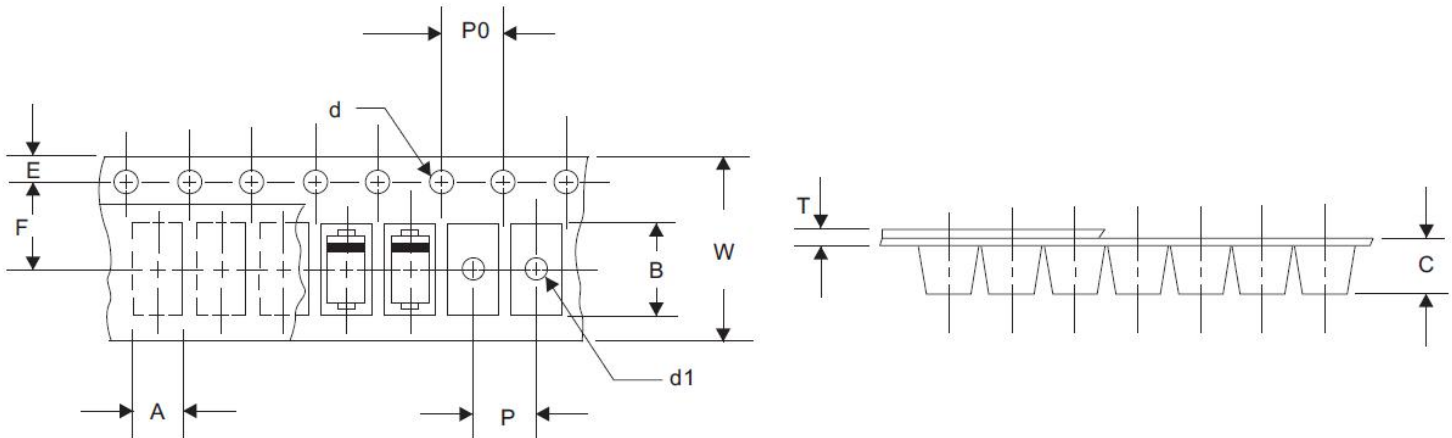


Fig 2. Product orientation in carrier tape

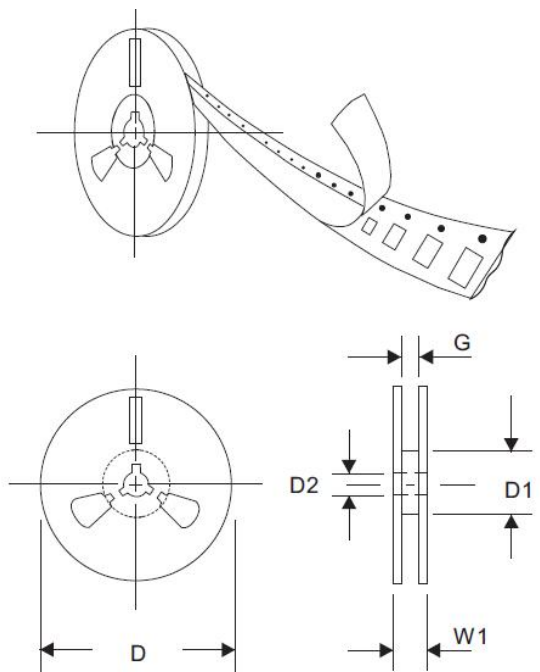
4. Carrier tape dimensions



Dimensions are in millimeter											
Pkg type	A	B	C	d1	d	E	F	P	P0	T	W
SMB	3.80	5.50	2.45	1.50	1.50	1.75	5.50	8.00	4.00	0.30	12.00
(Tolerance)	± 0.1	± 0.1	± 0.1	max	± 0.1	± 0.1	± 0.1	± 0.1	± 0.1	± 0.1	± 0.3

Fig 3. Carrier tape dimensions

5. Reel dimensions



Dimensions are in millimeter					
Reel Option	D	D1	D2	G	W1
13"	330.0	72	13.00	12.40	18.00
(Tolerance)	±0.3	min	±0.2	min	min

Fig 4. Reel dimensions