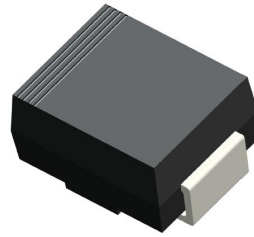


B006, Rev. -

1. Finish Goods PKG photo



2. Packing method

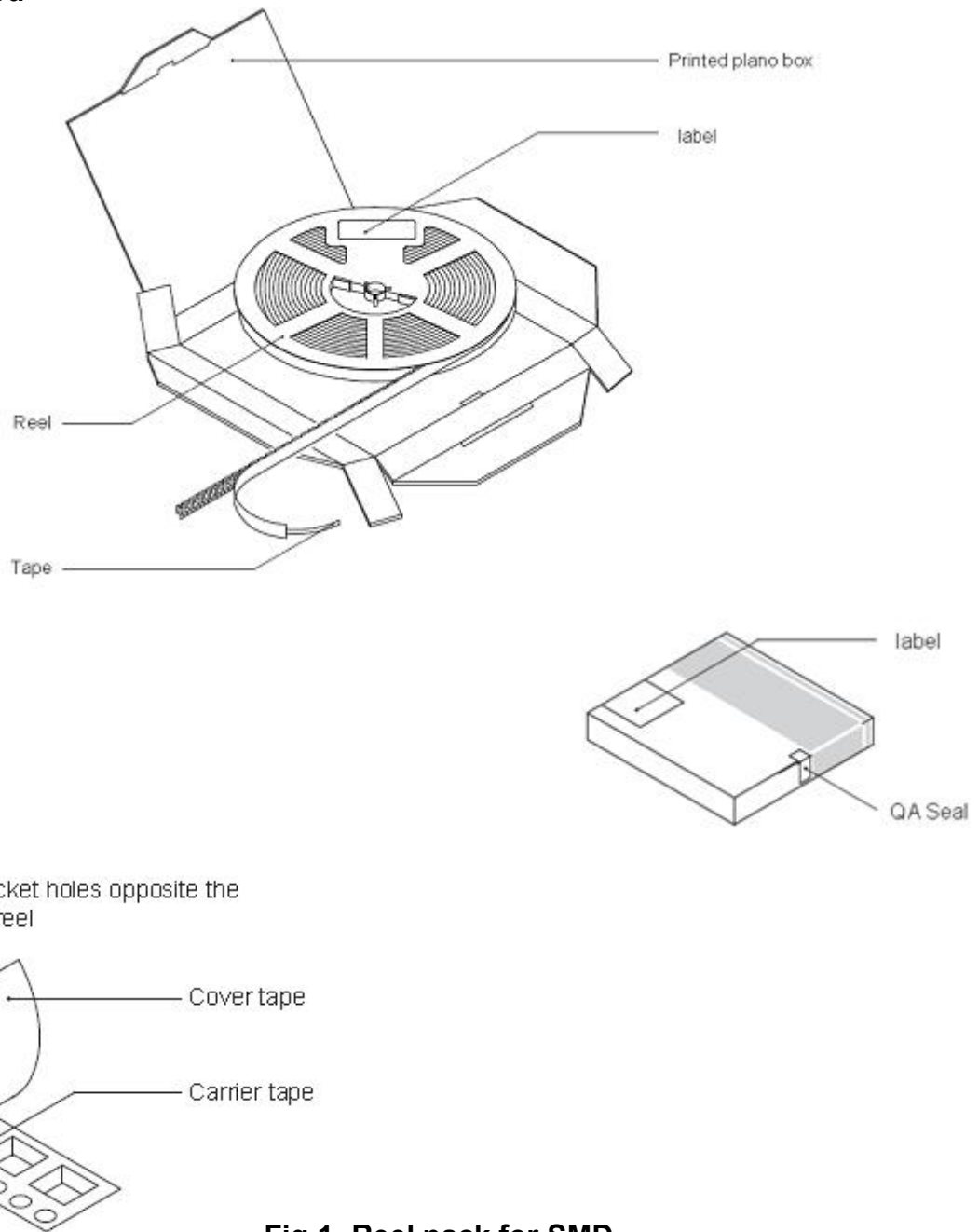


Fig.1- Reel pack for SMD

Table 1. Packing information

Package version	Reel dimensions $\phi \times H$ (mm)	Per reel (Pcs)	Reel Weight (Kg)	Reels per box	Inner box dimensions LxWxH (mm)	Inner box weight (Kg)	Outer box weight (Kg)
SMC	$\Phi 330 \times 24$	3000	0.56	2	335*335*40	1.3	11.5

3. Product orientation

Standard product orientation SMC

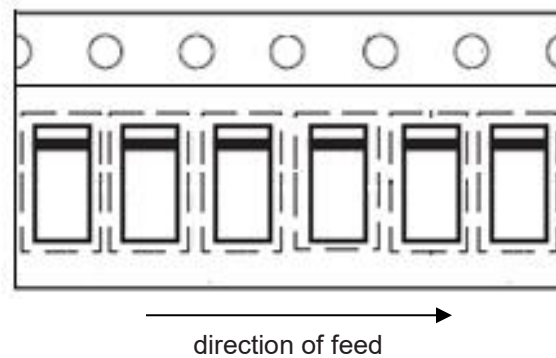


Fig 2. Product orientation in carrier tape

4. Carrier tape dimensions

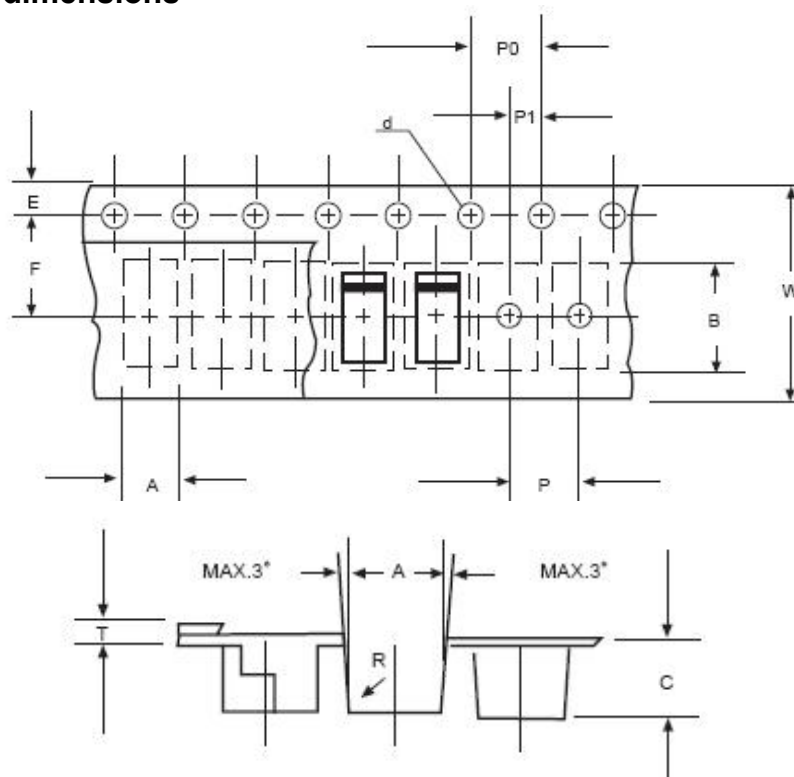


Fig 3. Carrier tape dimensions

5. Reel dimensions

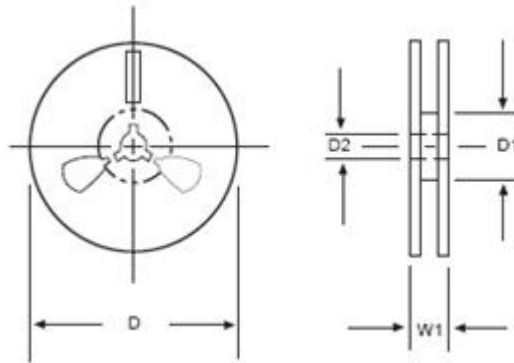


Fig 4. Reel dimensions

Table 2. Carrier tape dimensions

ITEM	SYMBOL	DO214AB (SMC) mm(inch)
Carrier width	A	6.00±0.1(0.240±0.004)
Carrier length	B	8.30±0.1(0.330±0.004)
Carrier depth	C	2.50±0.1(0.100±0.004)
Sprocket hole	d	1.5±0.1(0.059±0.004)
Reel outside diameter	D	330±2.0(13±0.79)
Reel inner diameter	D1	8.0±0.2(0.315±0.008)
Feed hole diameter	D2	13±0.5(0.301±0.002)
Sprocket hole position	E	1.5±0.1(0.059±0.004)
Punch hole position	F	7.65±0.05(0.301±0.002)
Punch hole pitch	P	8.0±0.1(0.315±0.004)
Sprocket hole pitch	P0	4.0±0.1(0.157±0.004)
Embossment center	P1	4.0±0.1(0.157±0.004)
Total tape thickness	T	0.6MAX
Tape width	W	16.0±0.2(0.630±0.008)
Reel width	W1	24.0±2.0(0.945±0.079)