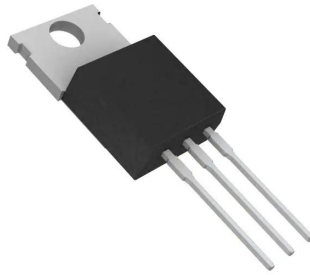


TO-220C Packing information

B156, Rev. -

1. Finish Goods PKG photo



2. Packing method

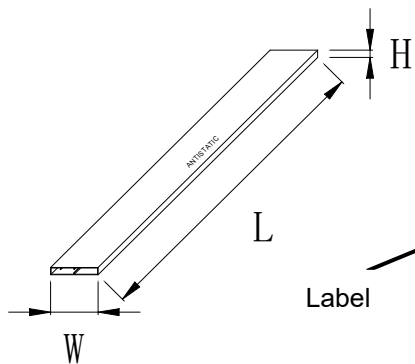
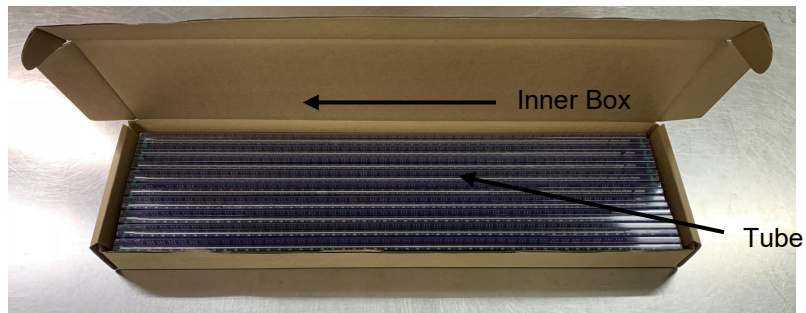


Table 1. Packing information

Package version	Tube dimensions L×W×H (mm)	Per Tube (pcs)	Tube Weight (Kg)	Tube per box	Inner box dimensions L×W×H (mm)	Inner box weight (Kg)	Outer box weight (Kg)
TO-220C	530*33*7	20	0.033	50	550*140*45	0.18	0.85

3. Product orientation

Standard product orientation TO-220C

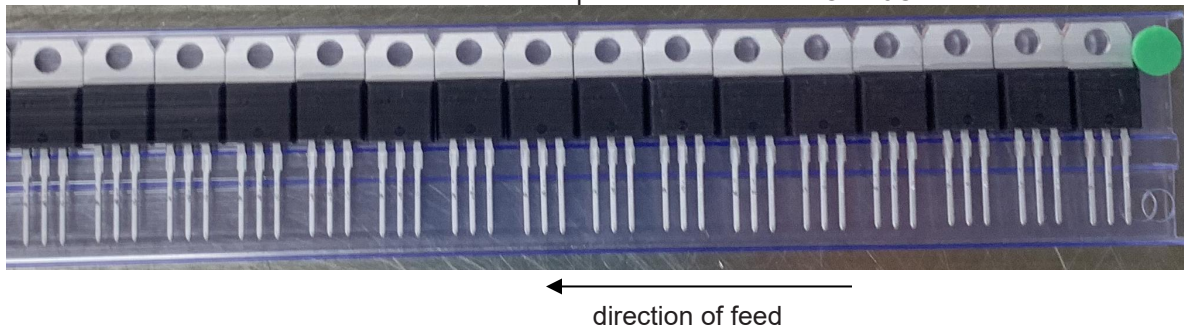


Fig 2. Product orientation in Tube