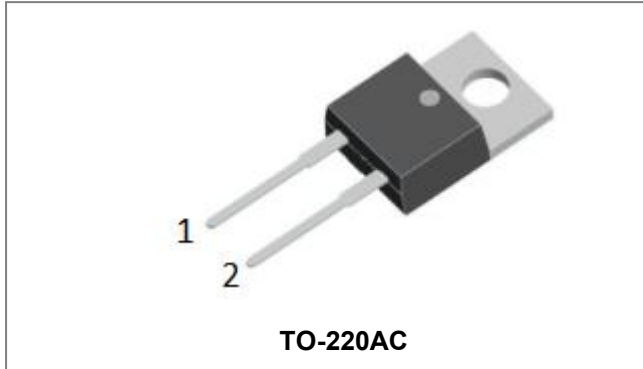


## FR801G THRU FR807G

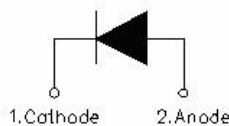
### GLASS PASSIVATED FAST RECOVERY RECTIFIERS



#### Features

- Glass Passivated Die Construction
- High Current Capability
- Low Reverse Leakage Current
- Fast Switching
- High Surge Current Capability
- This is a Pb - Free Device
- All SMC parts are traceable to the wafer lot
- Additional testing can be offered upon request

#### Circuit Diagram



#### Mechanical Data

- Case: TO-220AC molded plastic
- Terminals: Plated axial leads, solderable per MIL-STD-202, Method 208
- Polarity: Color band denotes cathode end
- Mounting Position: Any
- Weight: 1.8 grams

#### Maximum Ratings and Electrical Characteristics @ $T_A=25^\circ\text{C}$ unless otherwise specified

Single phase half-wave 60Hz, resistive or inductive load, for capacitive load current derate by 20%.

Characteristic	Symbol	FR 801G	FR 802G	FR 803G	FR 804G	FR 805G	FR 806G	FR 807G	Units
Maximum repetitive peak reverse voltage Maximum DC blocking voltage	$V_{RRM}$ $V_{DC}$	50	100	200	400	600	800	1000	V
Maximum RMS voltage	$V_{RMS}$	35	70	140	280	420	560	700	V
Maximum average forward rectified current 0.375"(9.5mm) lead length at @ $T_C=90^\circ\text{C}$	$I_{(AV)}$	8.0							A
Peak forward surge current 8.3ms single half sine-wave superimposed on rated load (JEDEC Method)	$I_{FSM}$	200							A
Maximum instantaneous forward voltage at 8.0A	$V_F$	1.3							V
Maximum DC reverse current @ $T_A=25^\circ\text{C}$ At Rated DC Blocking Voltage @ $T_A=125^\circ\text{C}$	$I_{RM}$	5.0 300							$\mu\text{A}$
Maximum reverse recovery time (Note 1)	$t_r$	150				250	500		ns
Typical Thermal Resistance Junction to Case	$R_{\theta JC}$	2							$^\circ\text{C/W}$
Operating junction temperature range	$T_J$	-55 to +150							$^\circ\text{C}$
Operating storage temperature range	$T_{STG}$	-55 to +150							$^\circ\text{C}$

Note: 1. Reverse recovery condition  $I_F=0.5\text{A}$ ,  $I_R=1.0\text{A}$ ,  $I_{rr}=0.25\text{A}$

**Ratings and Characteristics Curves**

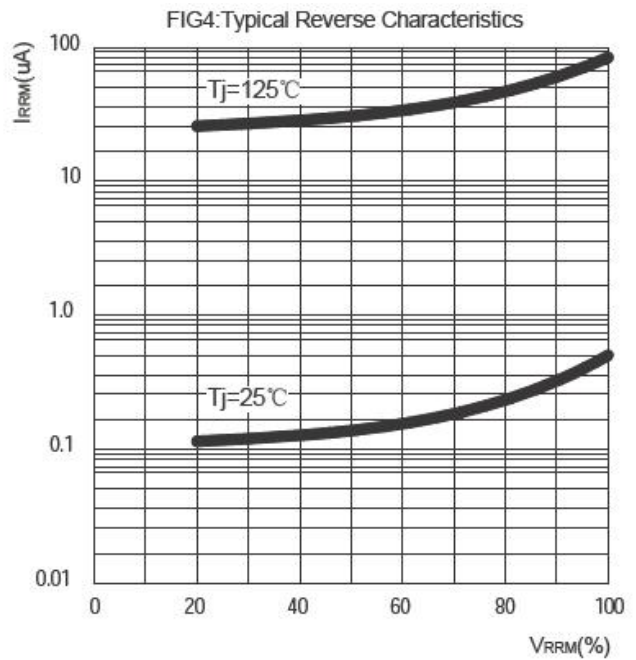
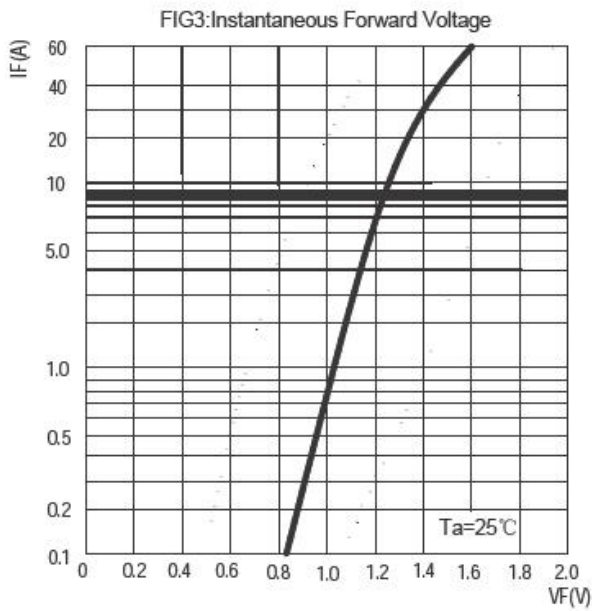
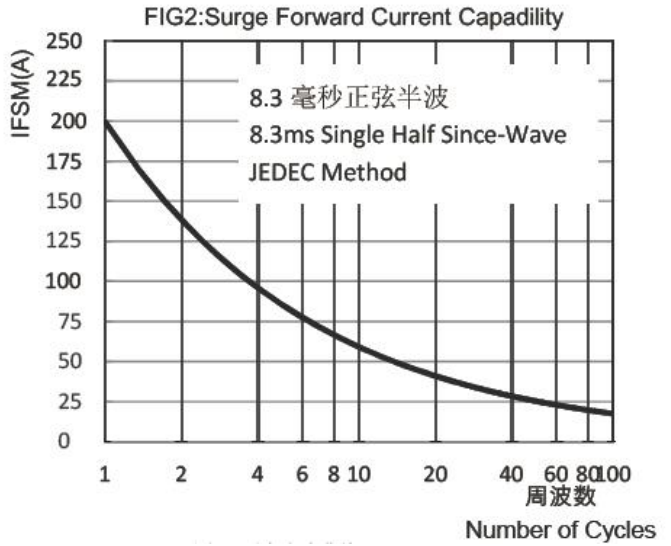
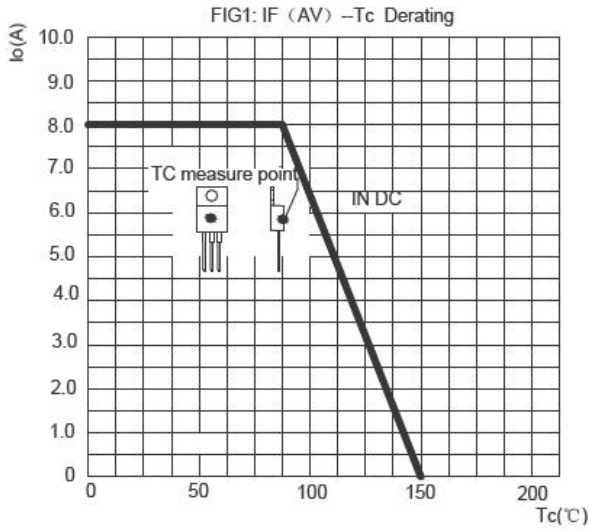
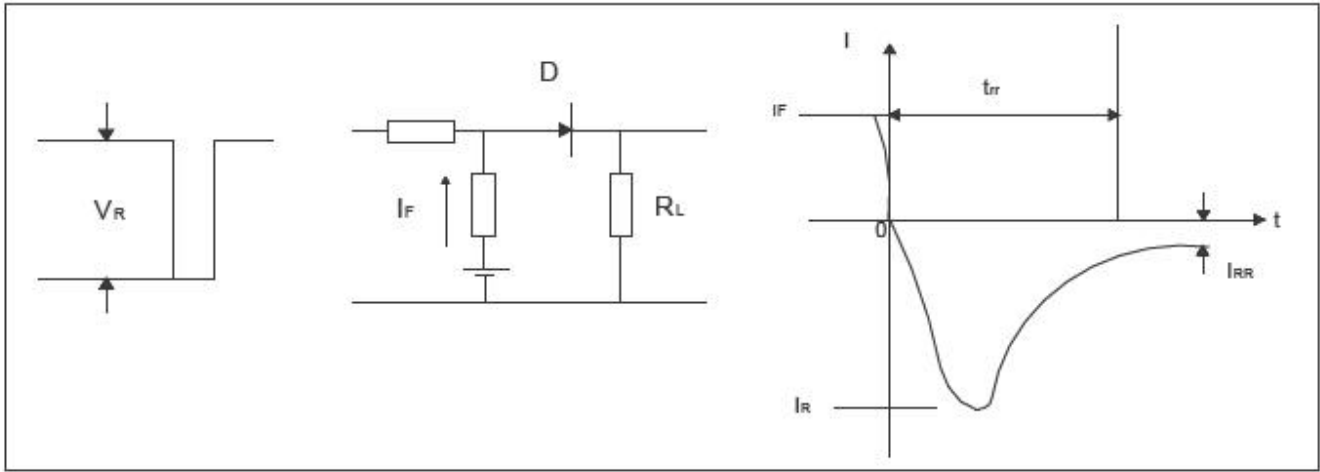
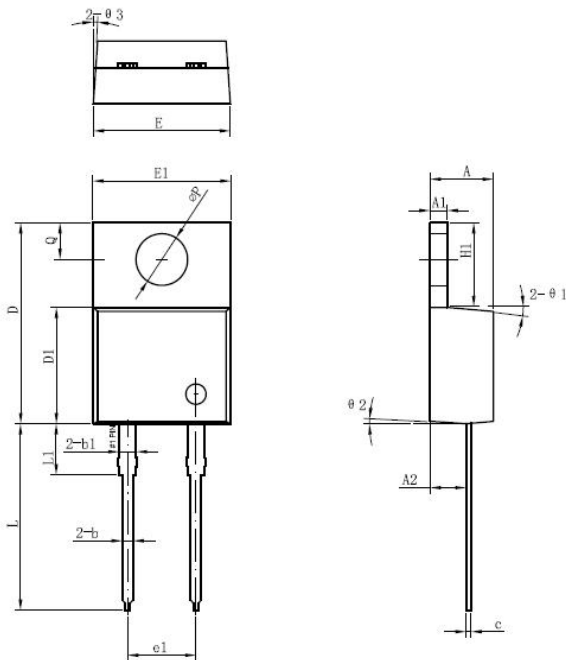


FIG.5: Diagram of circuit and Testing wave form of reverse recovery time



### Mechanical Dimensions TO-220AC



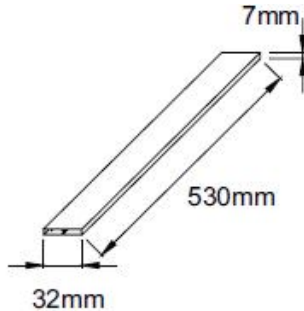
Symbol	Dimensions in millimeters		
	Min.	Typical	Max.
A	4.44	4.70	4.85
A1	1.14	1.27	1.40
A2	2.52	2.69	2.89
b	0.71	0.81	0.96
b1	1.17	1.27	1.37
c	0.31	0.38	0.64
D	14.64	14.94	15.24
D1	8.50	8.07	8.90
E	10.01	10.16	10.31
E1	9.95	10.18	10.5
e1	4.98	5.08	5.18
H1	6.04	6.24	6.44
L	13.00	13.86	14.22
L1	3.56	3.80	3.96
ΦP	3.74	3.84	4.04
Q	3.56	3.80	4.06
Θ1		5°	
Θ2		4°	
Θ3		4°	

### Ordering Information

Device	Package	Shipping
FR801G-FR807G	TO-220AC (Pb-Free)	50 pcs/ tube

For information on tape and reel specifications, including part orientation and tape sizes, please refer to our tape and reel packaging Specification.

**Tube Specification**



**Marking Diagram**



Where XXXXX is YYWWL

FR801G = Part Name  
YY = Year  
WW = Week  
L = Lot Number

**Cautions:** Molding resin  
Epoxy resin UL:94V-0

**DISCLAIMER:**

- 1- The information given herein, including the specifications and dimensions, is subject to change without prior notice to improve product characteristics. Before ordering, purchasers are advised to contact the SMC Diode Solutions sales department for the latest version of the datasheet(s).
- 2- In cases where extremely high reliability is required (such as use in nuclear power control, aerospace and aviation, traffic equipment, medical equipment, and safety equipment), safety should be ensured by using semiconductor devices that feature assured safety or by means of users' fail-safe precautions or other arrangement.
- 3- In no event shall SMC Diode Solutions be liable for any damages that may result from an accident or any other cause during operation of the user's units according to the datasheet(s). SMC Diode Solution assumes no responsibility for any intellectual property claims or any other problems that may result from applications of information, products or circuits described in the datasheets.
- 4- In no event shall SMC Diode Solutions be liable for any failure in a semiconductor device or any secondary damage resulting from use at a value exceeding the absolute maximum rating.
- 5- No license is granted by the datasheet(s) under any patents or other rights of any third party or SMC Diode Solutions.
- 6- The datasheet(s) may not be reproduced or duplicated, in any form, in whole or part, without the expressed written permission of SMC Diode Solutions.
- 7- The products (technologies) described in the datasheet(s) are not to be provided to any party whose purpose in their application will hinder maintenance of international peace and safety nor are they to be applied to that purpose by their direct purchasers or any third party. When exporting these products (technologies), the necessary procedures are to be taken in accordance with related laws and regulations..