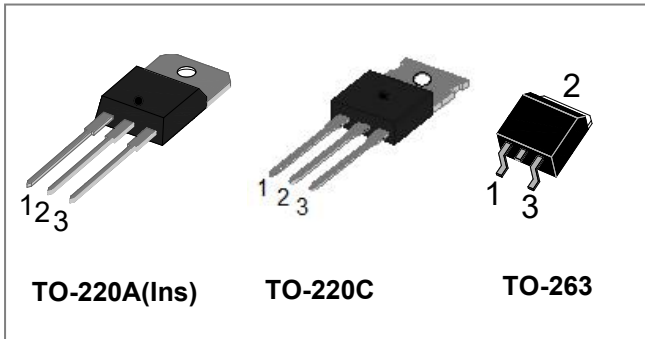
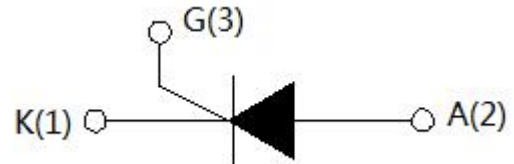


SCT1225 Series 25A SCRs



Circuit Diagram



Description

With high ability to withstand the shock loading of large current, SCT1225 SCRs provide high dv/dt rate with strong resistance to electromagnetic interference. They are especially recommended for use on solid state relay, motorcycle, power charger, T-tools etc.

From all three terminals to external heatsink, SCT1225A provides a rated insulation voltage of 2500 VRMS.

Maximum Ratings:

Characteristics	Symbol	Condition	Max.	Units
Storage junction temperature range	T_{stg}	-	-40-150	°C
Operating junction temperature range	T_j	-	-40-125	°C
Repetitive peak off-state voltage($T_j=25^\circ\text{C}$)	V_{DRM}	-	1200	V
Repetitive peak reverse voltage($T_j=25^\circ\text{C}$)	V_{RRM}	-	1200	V
Non repetitive surge peak Off-state voltage	V_{DSM}	-	$V_{DRM} + 100$	V
Non repetitive peak reverse voltage	V_{RSM}	-	$V_{RRM} + 100$	V
RMS on-state current	$I_{(TRMS)}$	TO-220A(Ins)($T_c=85^\circ\text{C}$)	25	A
		TO-220C($T_c=100^\circ\text{C}$)		
		TO-263($T_c=105^\circ\text{C}$)		
Non repetitive surge peak on-state current ($t_p=10\text{ms}$)	I_{TSM}	-	300	A
I^2t value for fusing ($t_p=10\text{ms}$)	I^2t	-	450	A^2s
Critical rate of rise of on-state current ($I_G=2 \times I_{GT}$)	di/dt	-	150	$\text{A}/\mu\text{s}$
Peak gate current	I_{GM}	-	4	A
Average gate power dissipation	$P_{G(AV)}$	-	2	W
Peak gate power	P_{GM}	-	5	W

Electrical Characteristics (T_j=25°C unless otherwise specified)

Symbol	Test Condition	Value			Unit
		MIN.	TYP.	MAX.	
I _{GT}	V _D =12V R _L =33Ω	-	-	40	mA
V _{GT}		-	-	1.5	V
V _{GD}	V _D =V _{DRM} T _j =125°C R _L =3.3KΩ	0.2	-	-	V
I _L	I _G =1.2I _{GT}	-	-	140	mA
I _H	I _T =500mA	-	-	120	mA
dV/dt	V _D =2/3V _{DRM} Gate Open T _j =125°C	1000	-	-	V/μs

Static Characteristics

Symbol	Condition	Max.	Units
V _{TM}	I _T =50A tp=380μs, T _j =25°C	1.6	V
I _{DRM}	V _D =V _{DRM} V _R =V _{RRM} , T _j =25°C	10	μA
I _{RRM}	V _D =V _{DRM} V _R =V _{RRM} , T _j =125°C	4	mA

Thermal Resistances

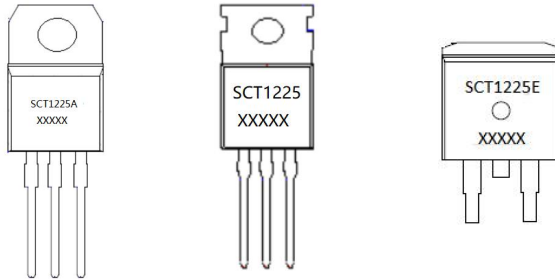
Symbol	Condition		Value	Units
R _{th(j-c)}	Junction to case(AC)	TO-220A(Ins)	1.4	°C/W
		TO-220C	0.85	°C/W
		TO-263	1.2	°C/W
R _{th(j-a)}	Junction to ambient	TO-263	45	°C/W

Ordering Information

<p>S CT 12 25 C</p> <p>SMC Diode Solutions _____</p> <p>SCRs _____</p> <p>12:V_{DRM}/V_{RRM} ≥ 1200V _____</p>	<p>A:TO-220A(Ins)</p> <p>C:TO-220C</p> <p>E:TO-263</p> <p>I_{T(RMS)}:25A</p>
---	--

Device	Package	Shipping
SCT1225A	TO-220A(Ins)	50pcs/ Tube
SCT1225C	TO-220C	50pcs/ Tube
SCT1225E	TO-263	800pcs/ Reel

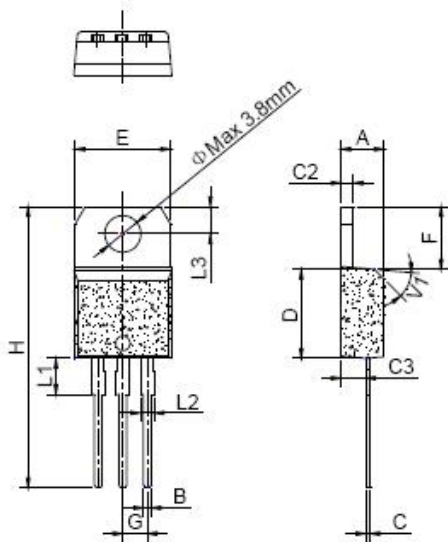
Marking Diagram



Where XXXXX is YYWWL

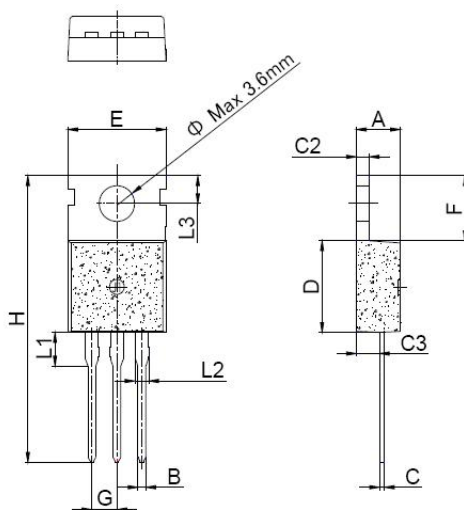
SCT1225A = Part name
YY = Year
WW = Week
L = Lot Number

Mechanical Dimensions TO-220A(Ins)



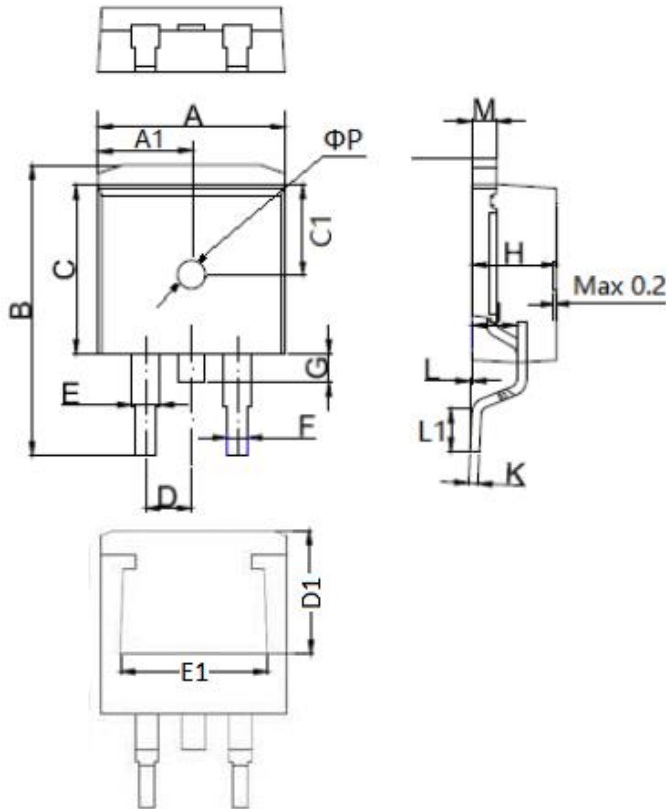
SYMBOL	Millimeters			Inches		
	Min.	Typ.	Max.	Min.	Typ.	Max.
A	4.40		4.60	0.173		0.181
B	0.61		0.88	0.024		0.035
C	0.46		0.70	0.018		0.028
C2	1.21		1.32	0.048		0.052
C3	2.40		2.72	0.094		0.107
D	8.60		9.70	0.339		0.382
E	9.60		10.4	0.378		0.409
F	6.55		6.95	0.258		0.274
G		2.54			0.1	
H	28.0		29.8	1.102		1.173
L1		3.75			0.148	
L2	1.14		1.70	0.045		0.067
L3	2.65		2.95	0.104		0.116
V1		45°			45°	

Mechanical Dimensions TO-220C



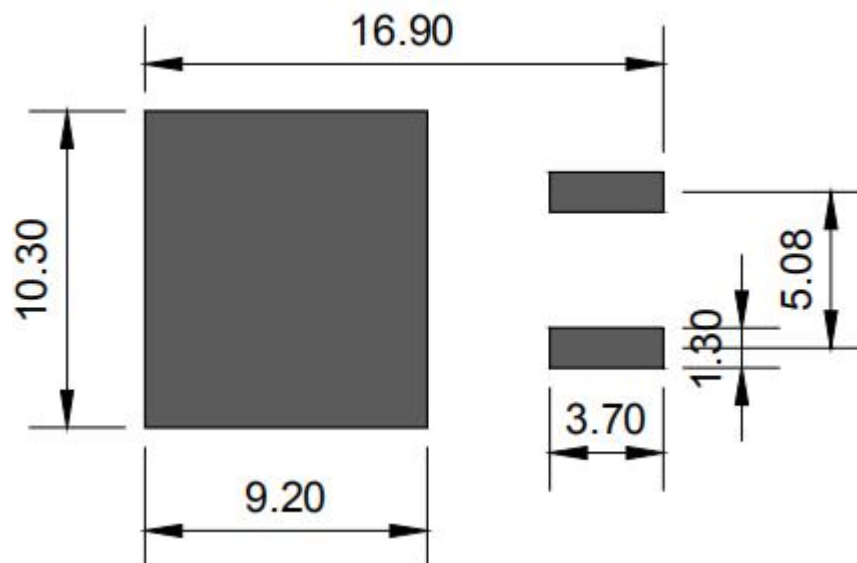
SYMBOL	Millimeters			Inches		
	Min.	Typ.	Max.	Min.	Typ.	Max.
A	4.40		4.60	0.173		0.181
B	0.70		0.90	0.028		0.035
C	0.45		0.60	0.018		0.024
C2	1.23		1.32	0.048		0.052
C3	2.20		2.60	0.087		0.102
D	8.90		9.90	0.350		0.390
E	9.90		10.3	0.39		0.406
F	6.30		6.90	0.248		0.272
G		2.54			0.1	
H	28.0		29.8	1.102		1.173
L1		3.39			0.133	
L2	1.14		1.70	0.045		0.067
L3	2.65		2.95	0.104		0.116
φ		3.6			0.142	

Mechanical Dimensions TO-263



SYMBOL	Millimeters			Inches		
	Min.	Typ.	Max.	Min.	Typ.	Max.
A	9.90		10.20	0.390		0.402
A1	4.95		5.10	0.195		0.201
B	14.70		15.80	0.579		0.622
C	9.40		9.60	0.370		0.378
C1	4.70		4.80	0.185		0.189
D		2.54			0.100	
D1	7.20					
E	1.20		1.40	0.047		0.055
E1	7.60					
F	0.75		0.85	0.029		0.033
G			1.75			0.069
H	4.40		4.70	0.173		0.185
J	2.30		2.70	0.091		0.106
K	0.38		0.55	0.015		0.022
L	0	0.10	0.25	0	0.004	0.010
L1	2.24		2.84	0.088		0.112
ΦP	1.00		1.50	0.039		0.059
M	1.25		1.35	0.049		0.053

Foot Print TO-263 (dimensions in mm)



Ratings and Characteristics Curves

FIG.1: Maximum power dissipation versus RMS on-state current

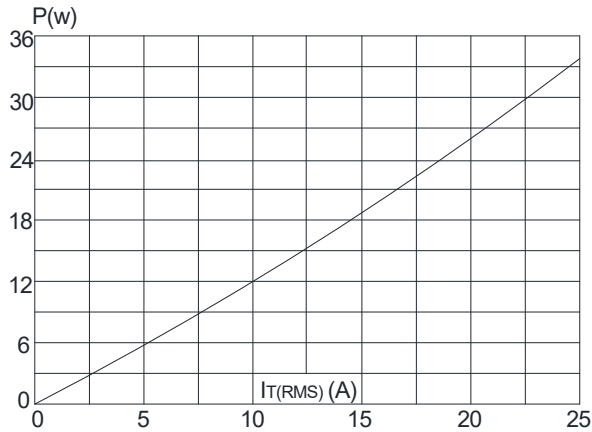


FIG.2: RMS on-state current versus case temperature

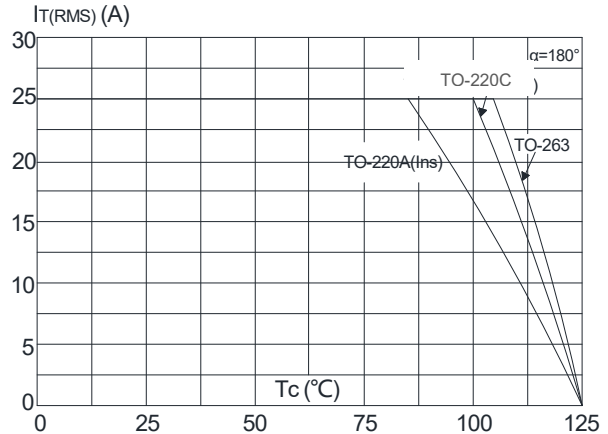


FIG.3: Surge peak on-state current versus number of cycles

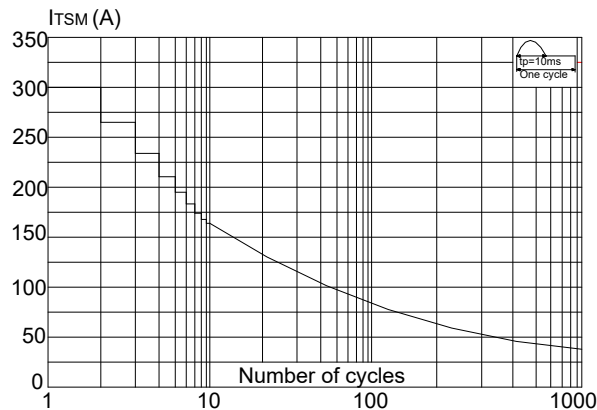


FIG.4: On-state characteristics (maximum values)

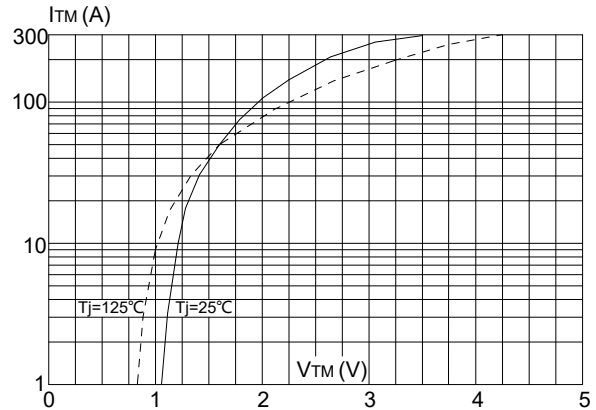


FIG.5: Non-repetitive surge peak on-state current for a sinusoidal pulse with width $t_p < 10ms$, and corresponding value of $\int I dt$ ($dI/dt < 150A/\mu s$)

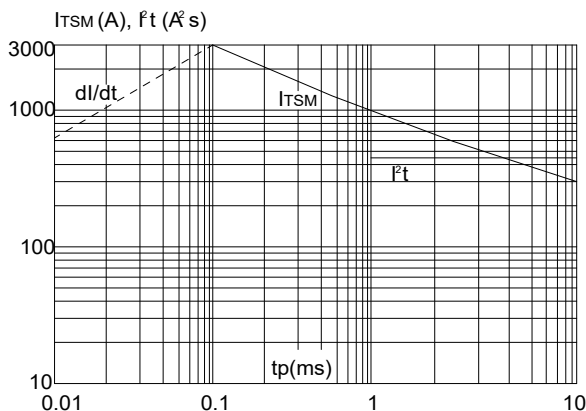
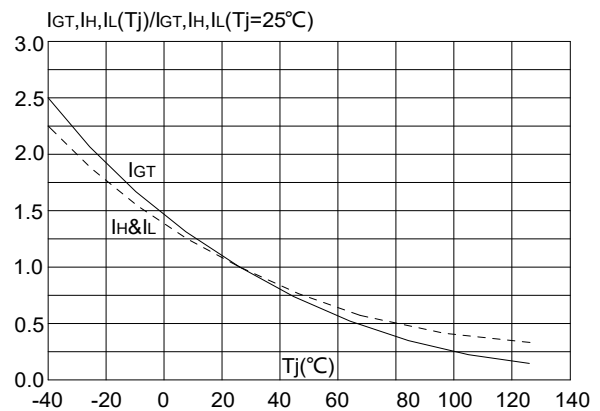


FIG.6: Relative variations of gate trigger current, holding current and latching current versus junction temperature



Technical Data
Data Sheet N2038, Rev.C



DISCLAIMER:

- 1- The information given herein, including the specifications and dimensions, is subject to change without prior notice to improve product characteristics. Before ordering, purchasers are advised to contact the SMC Diode Solutions sales department for the latest version of the datasheet(s).
- 2- In cases where extremely high reliability is required (such as use in nuclear power control, aerospace and aviation, traffic equipment, medical equipment, and safety equipment), safety should be ensured by using semiconductor devices that feature assured safety or by means of users' fail-safe precautions or other arrangement.
- 3- In no event shall SMC Diode Solutions be liable for any damages that may result from an accident or any other cause during operation of the user's units according to the datasheet(s). SMC Diode Solution assumes no responsibility for any intellectual property claims or any other problems that may result from applications of information, products or circuits described in the datasheets.
- 4- In no event shall SMC Diode Solutions be liable for any failure in a semiconductor device or any secondary damage resulting from use at a value exceeding the absolute maximum rating.
- 5- No license is granted by the datasheet(s) under any patents or other rights of any third party or SMC Diode Solutions.
- 6- The datasheet(s) may not be reproduced or duplicated, in any form, in whole or part, without the expressed written permission of SMC Diode Solutions.
- 7- The products (technologies) described in the datasheet(s) are not to be provided to any party whose purpose in their application will hinder maintenance of international peace and safety nor are they to be applied to that purpose by their direct purchasers or any third party. When exporting these products (technologies), the necessary procedures are to be taken in accordance with related laws and regulations..